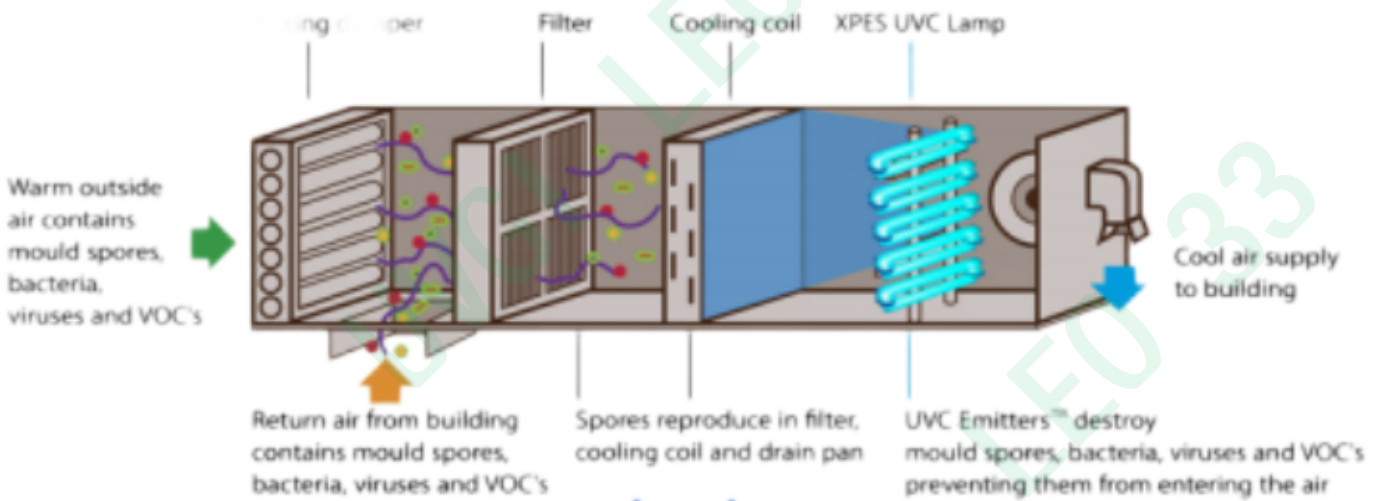


WHY CHOOSE SOMA MEDICAL HVAC UVC LIGHTS



High Intensity

UV intensity is two times higher than the other uv lamps, up to $1300\text{uw}/\text{cm}^2$

①

High Bactericidal Efficiency

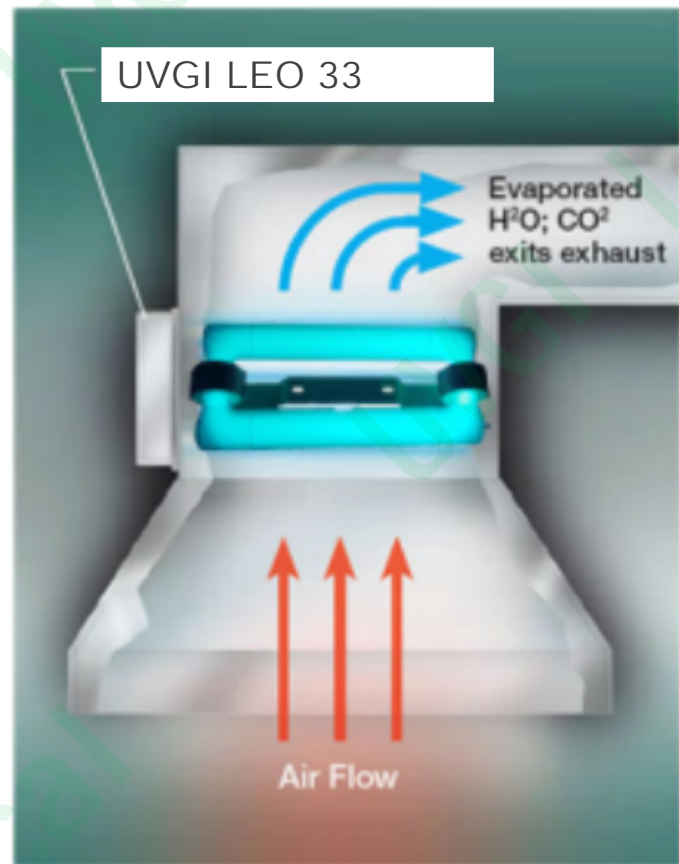
Disinfected in few seconds

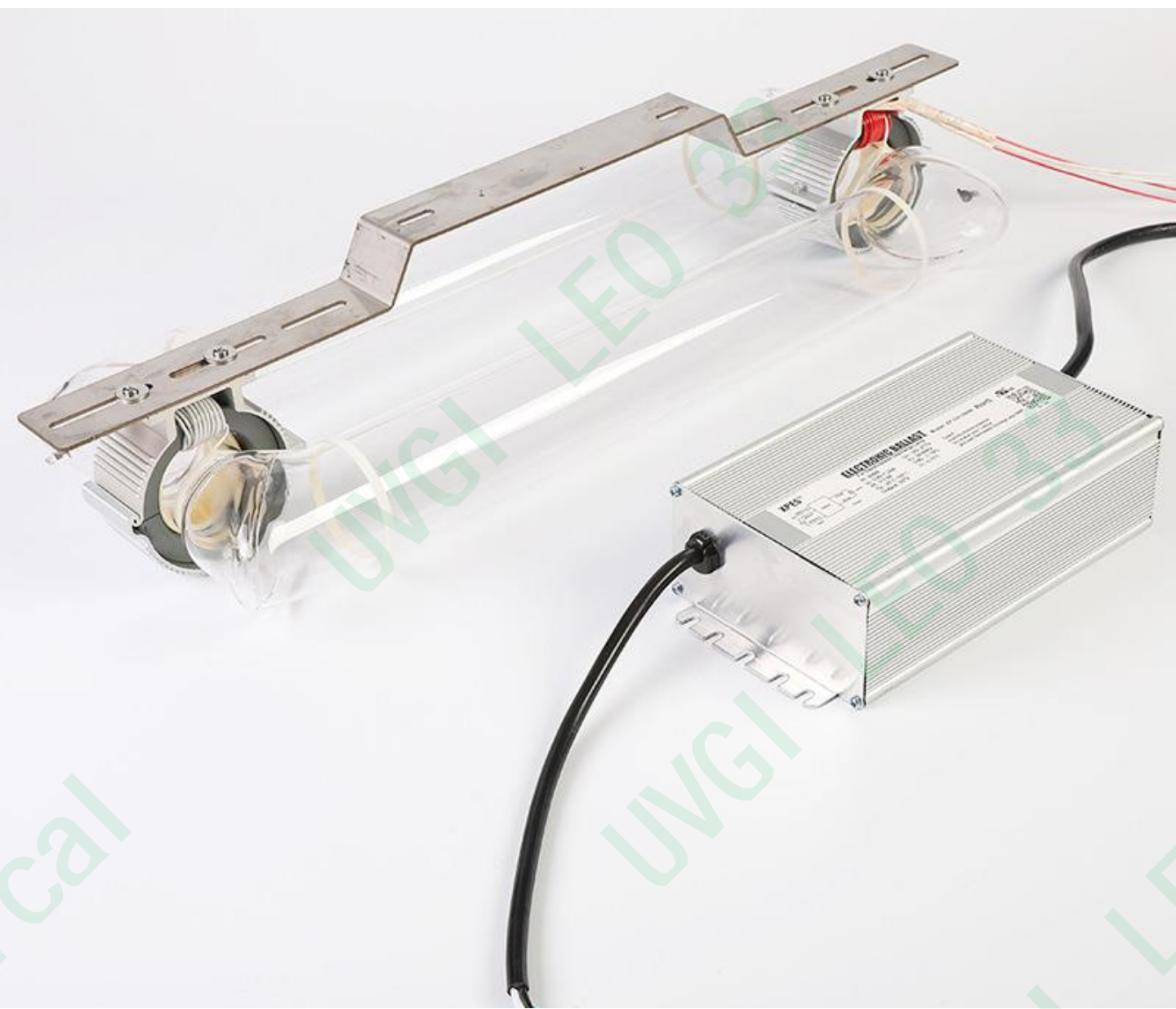
②

Low Consumption

3 years warranty
Easy to install

③





Lamp+Ballast+Connection Line+ Stainless steel = A Complete Set

Recommend Lamp Quantity

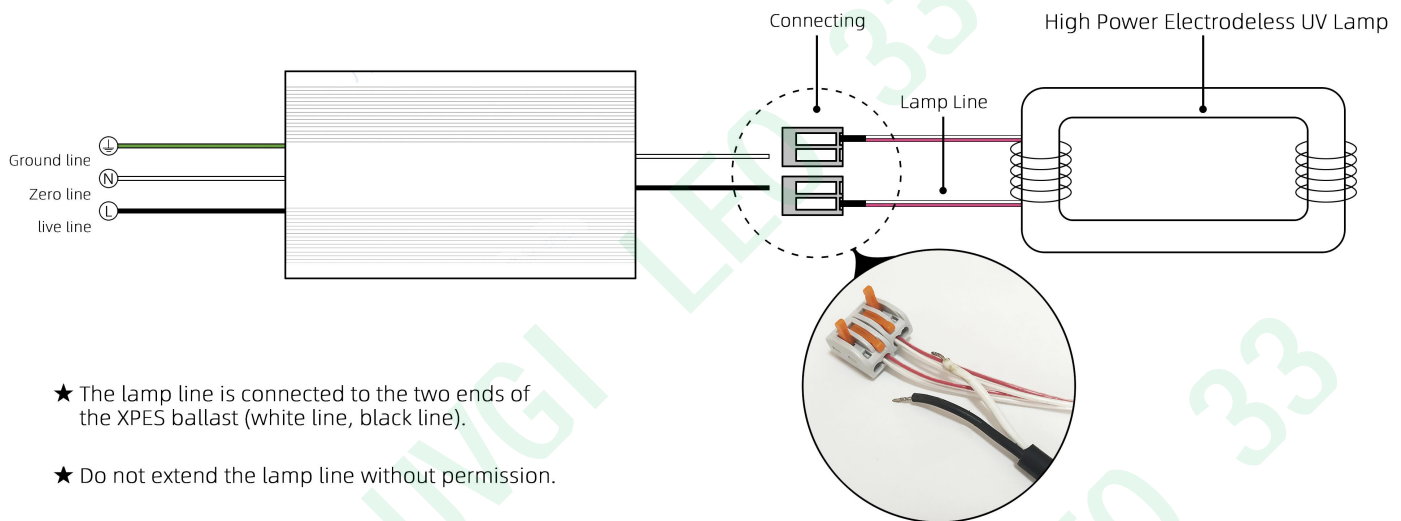
Air Volume	Lamp Quantity	UV Intensity
~70,500ft ³ /h	1 set	1300μW/cm ²
~141,280ft ³ /h	2 sets	2600μW/cm ²
~211,920ft ³ /h	3 sets	3900μW/cm ²
~450,000ft ³ /h	6 sets	7800μW/cm ²
~635760ft ³ /h	9 sets	11700μW/cm ²

Product Details



- Anti-uv+water-proof+wear resistance
- Anti-uv+Anti-corrosion Bracket
- Special induction magnetic ring
- Special Connecting Parts: Resistance to fall
- Tube is continuously upgraded and improved: Higher UV intensity
- Special packaging
- High Power ballast support 24h/day working
-

Wiring Diagram



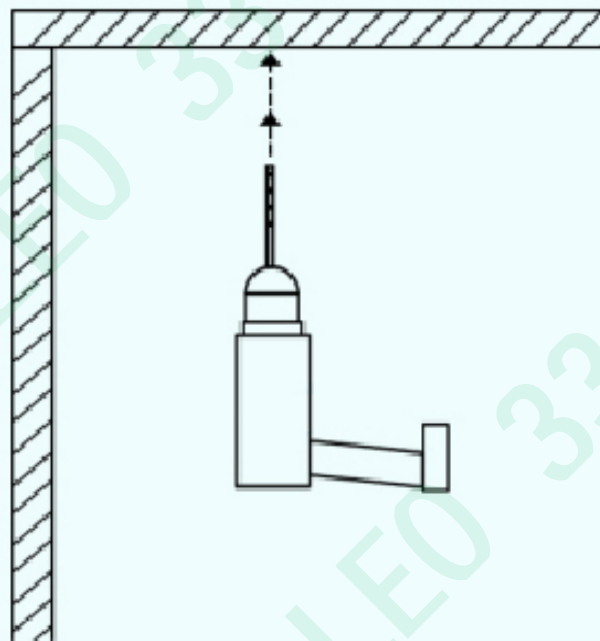
1. Tube Material: High Purity Quartz glass
2. Wavelength: UVC (222nm) / UVC+Ozone(222nm+185nm)
3. Working Voltage: AC165~265V/100~300V
4. IP Rate: IP68, it can put water directly without any cover
5. Working Temperature: -20°C~80°C
6. Start-up time: 0.99s~1.5s, it can turn on/off thousands times
7. Lifespan: 60000hrs
8. UVC Output: 1300uw/cm² in 1m
9. Length of connection wire of tube: 2~2.5 meter
10. Saving 40%~50% HVAC energy cost
11. Killing bacteria and virus in 99.9%

INSTALLATION DIAGRAM

EASY TO ASSEMBLE AND USE

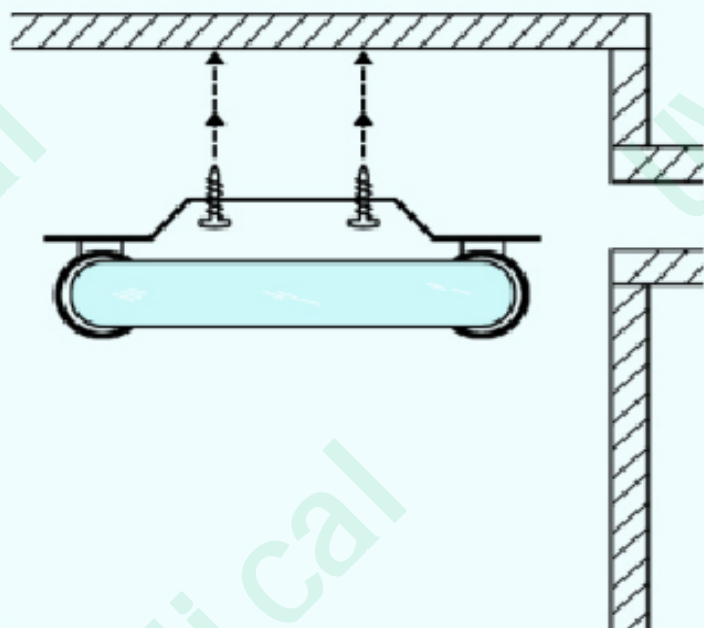
1

- Roughly select the air inler position.
- Drill two holes with diameter of 5mm with an electric drill On the wall of the box.



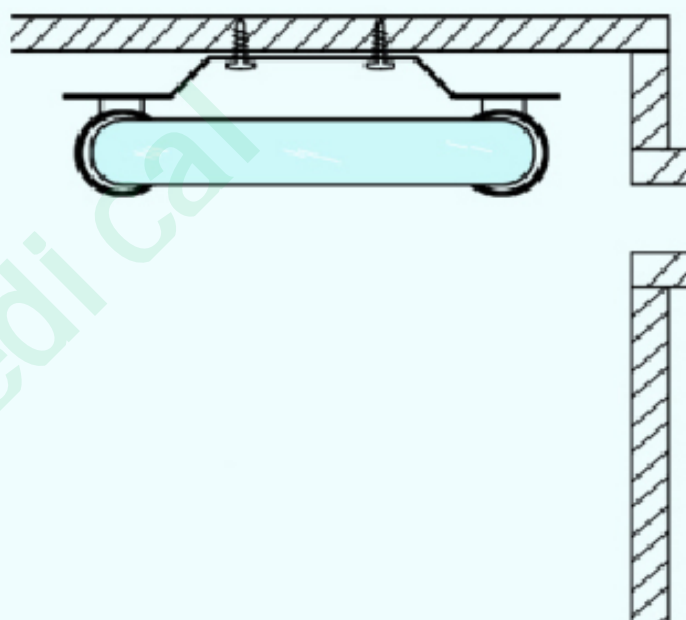
2

- Use two screws with diameter of 5mm to pass through the hole of lamp bracket, then turn the screw to fix the lamp tube.
- Connect the UV lamp to the matching XPES ballast, the ballast should be placed outside the box.



3

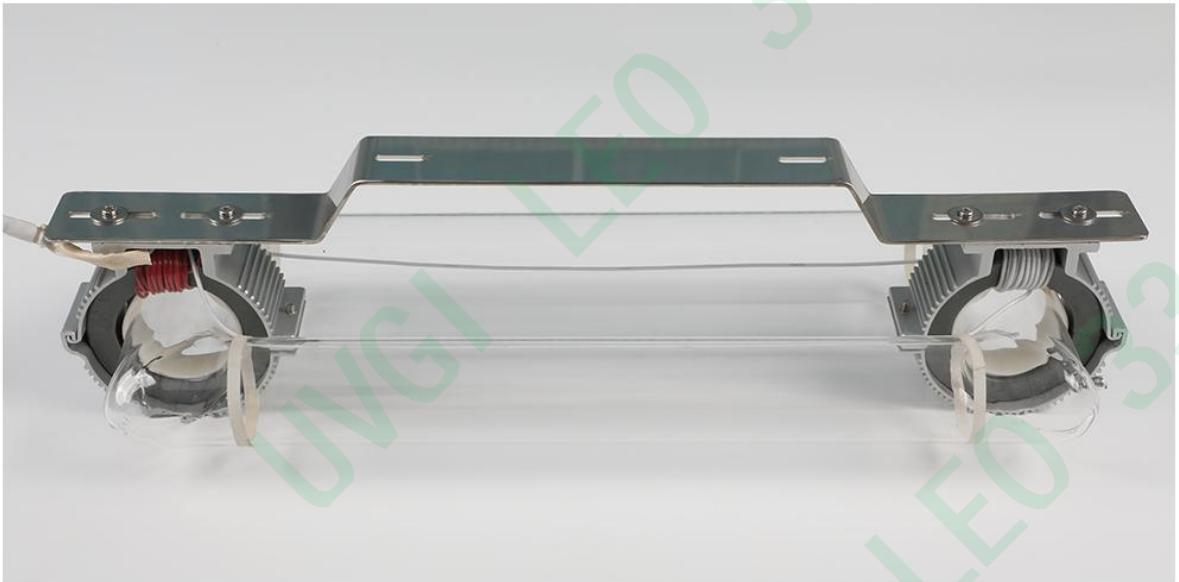
- Setup complete, it can be used after being electrified (110-277V).



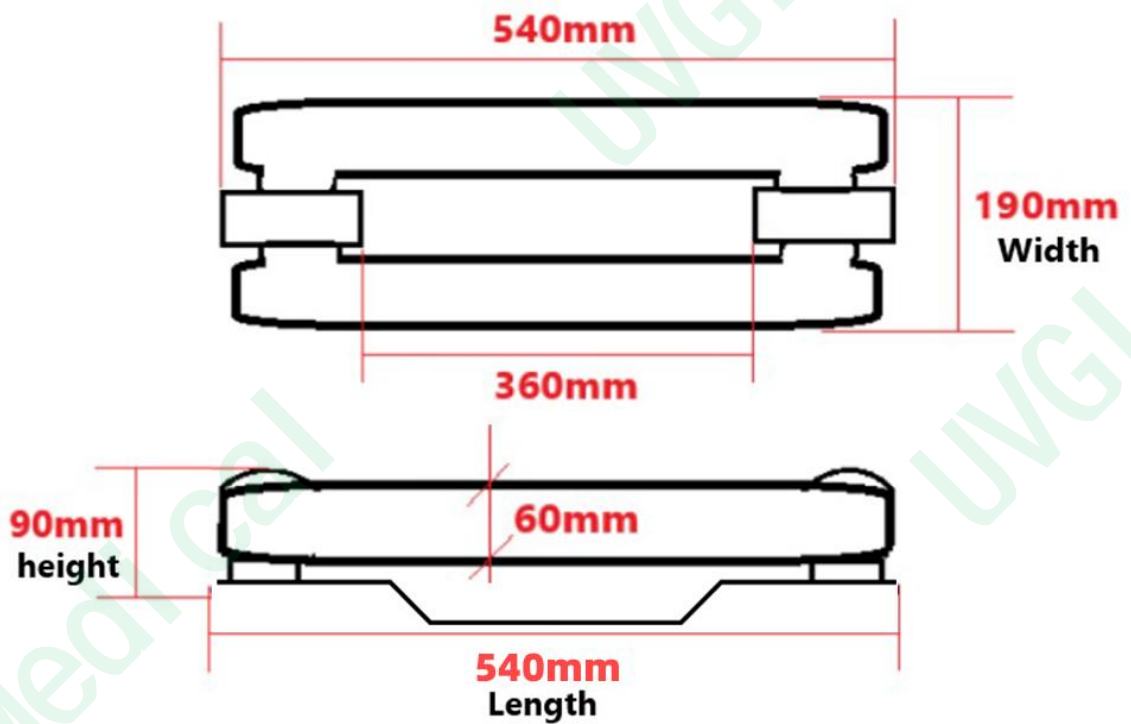
Dimensional Drawing of UVGI LEO 33

(Bracket: “工” Type)

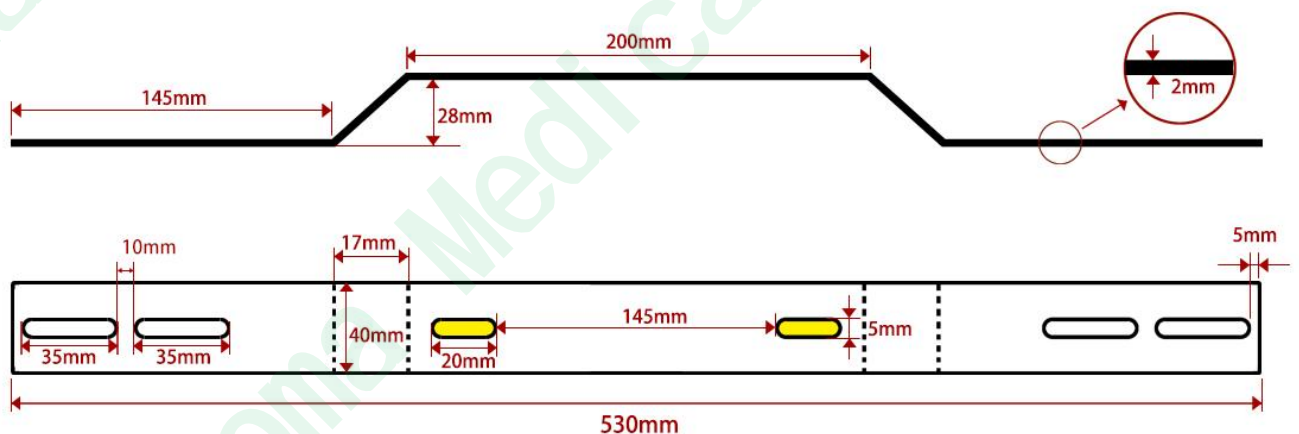
Length*Width*Height=540*190*120mm



UV Lamp Diagram



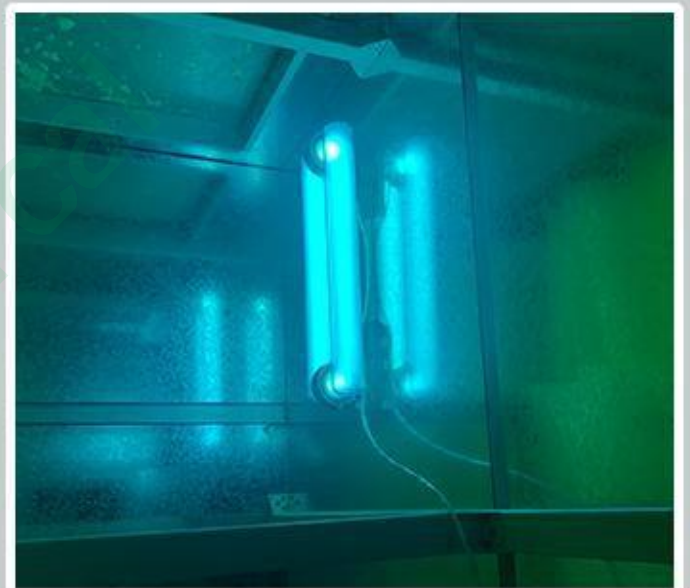
Bracket Diagram

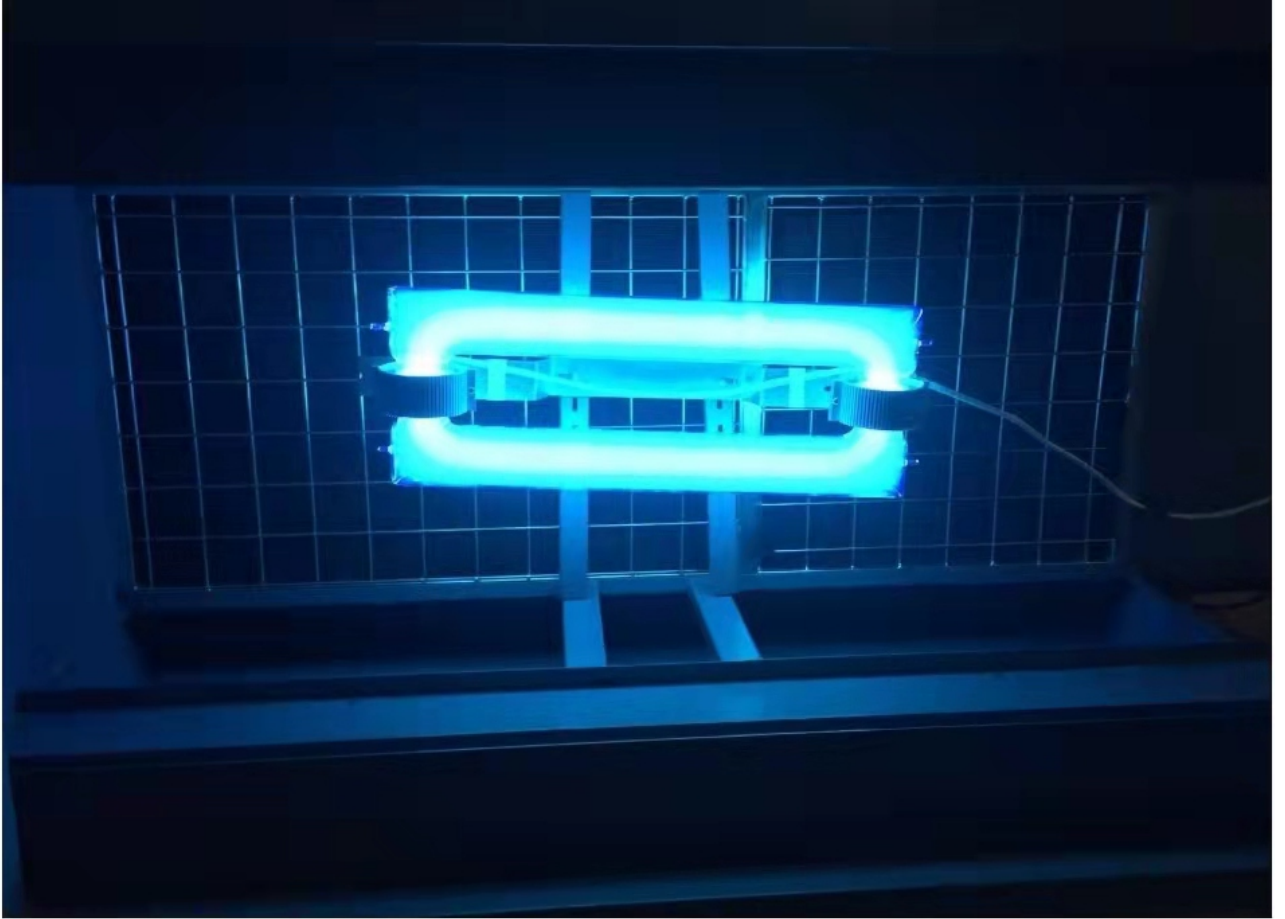


*Tagging: Yellow rounded rectangles mean that they are hole locations for installation and fixation of uv lamp

Customer Cases

*Sterillization & Disinfection of Central
Air-conditioning Ventilation Ducts*





ca1



XPES

High Power UVC Lamp
Longer Lifespan | 100% Durable
6000h service life



**SOMA
HEALS**

Note

- Lamp tube and ballast must be separately mounted
- The lamp could be put in closed container/case and it can also be put into water
- The length of wire is 2~2.6 meter, which is not permitted to exceed the length of tube wire, otherwise it will influence the lamp working;
- Please keep the UV lamp surface clean and clean the surface of the tube regularly to max its working effect
- It's prohibited that the naked eyes are exposed directly to the ultraviolet light.
- Observation should be under protective measures (such as glasses, masks, anti-ultraviolet clothing)

More Application

- Purification, Deodorization, Surface disinfection
- Wastewater/ Gastreatment, Cold storage, Swimming Pool,
- Aquarium, Tap water plant, Spray paint factory
- Aquaculture farms, Cooling tower and etc...

